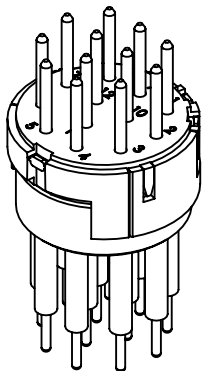
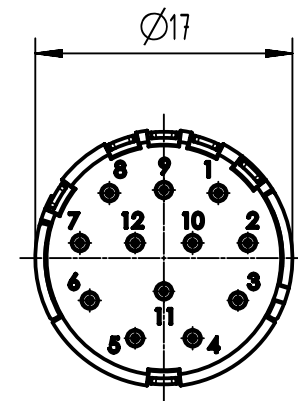
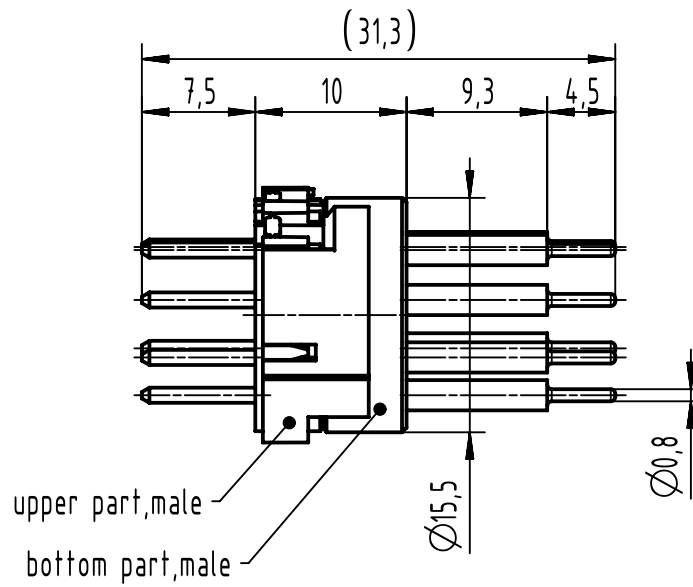
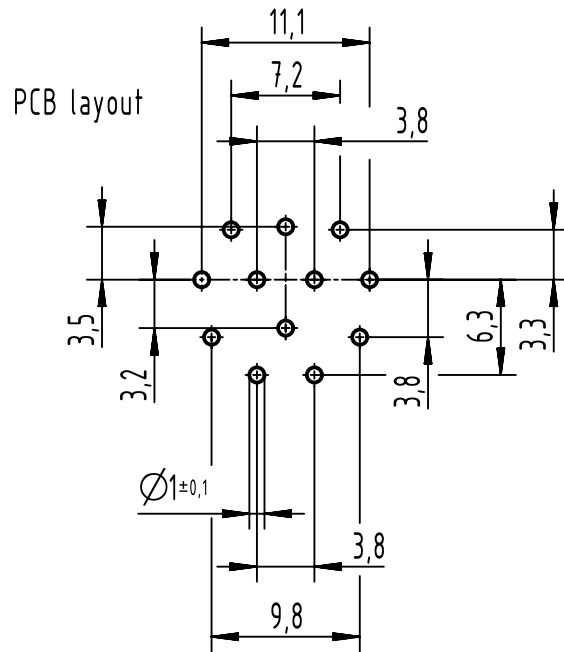



1 2 3 4 5 6

A  
B  
C  
D



	All Dimensions in mm Original Size DIN A4		Scale 2:1	Free size tol.		Ref.	
	All rights reserved Department EL PD		Created by DYCKC	Inspected by 104.122	Standardisation 302077	Date 2021-02-25	State Final Release
HARTING D-32339 Espelkamp		Title M23 12 Male -soldered contact				Doc-Key / ECM-Nr. 100709413/UGD/000/D 500000190014	
		Type TB	Number 09 15 112 2603			Rev. D	Page 1/1